



**INGERSOLL-RAND®**

**PARTS LIST  
SUPPLEMENT**

**T30**

Small Compressor Division  
**INGERSOLL-RAND COMPANY**  
Campbellsville, KY 47218

---

## **T-30 TECHNICAL MANUAL SUPPLEMENT**

**This Publication Supplements:**

**Form SCD-184C**

**Model 15T & H15T Parts List**

---

### **PURPOSE.**

The purpose of this publication is to provide parts list information reflecting the latest design improvements on the Model 15T and H15T Two-Stage Industrial Air Compressors. The information contained herein has not yet been incorporated into the parts list manual listed above.

### **PRECEDENCE.**

The information contained on the reverse page of this publication supersedes the data listed on page 10 of Form SCD-184C (September 1989) in its entirety. When ordering spare or replacement parts for your compressor, always use the part numbers listed on the reverse side of this publication. This form, along with the instruction manual and parts list for your compressor, should be kept in a location which is accessible to operating and maintenance personnel.

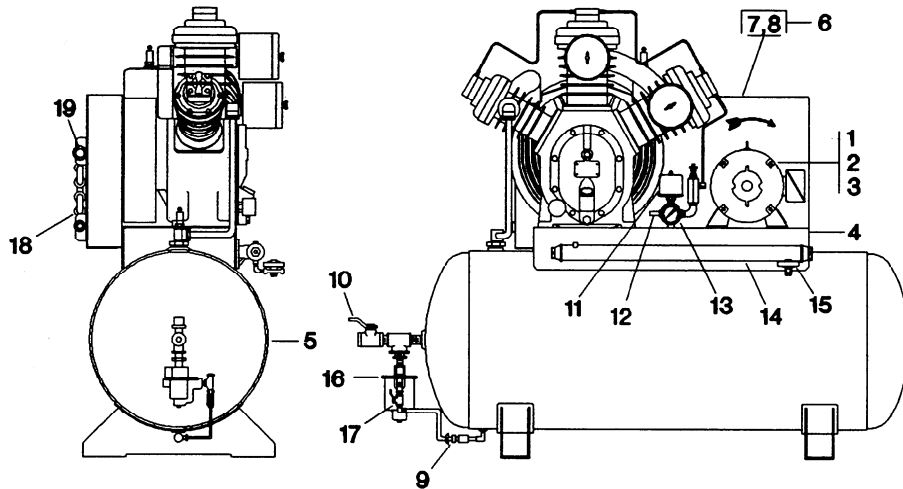


FIGURE 6. TYPICAL COMPRESSOR DRIVE, AIR RECEIVER, AND ACCESSORIES.

| REF. NBR. | PART NUMBER | DESCRIPTION  | UNITS PER ASSY. | SPARES |   |   |
|-----------|-------------|--|-----------------|--------|---|---|
|           |             |  |                 | 1      | 2 | 3 |
| 6-1       | *           | MOTOR, ELECTRIC                                    | 1               |        |   |   |
| 6-2       | *           | PULLEY, MOTOR                                      | 1               |        |   |   |
| 6-3       | 95100541    | BELT, "V" (15 HP)                                  | 3               |        | 3 | 3 |
| 6-3       | 95100558    | BELT, "V" (20 & 25 HP)                             | 3               |        | 3 | 3 |
| 6-4       | 32188708    | TIGHTENER, BELT - COMPLETE                         | 1               |        |   |   |
| 6-5       | 32162406    | RECEIVER ASSEMBLY - 120 GAL. HORIZONTAL - 200 PSIG | 1               |        |   |   |
| 6-5       | 32162414    | RECEIVER ASSEMBLY - 120 GAL. HORIZONTAL - 260 PSIG | 1               |        |   |   |
| 6-6       | 32276214    | BELTGUARD, COMPLETE                                | 1               |        |   |   |
| 6-7       | 32252140    | BACK, BELTGUARD                                    | 1               |        |   |   |
| 6-8       | 32184897    | COVER, BELTGUARD                                   | 1               |        |   |   |
| 6-9       | 32027120    | VALVE, MANUAL DRAIN                                | 1               |        |   |   |
| 6-10      | 32180242    | VALVE, BALL - 1" M/F (SERVICE VALVE)               | 1               |        |   | 1 |
| 6-11      | 37005907    | SWITCH, PRESSURE - NEMA 1 - 200 PSIG               | 1               | 1      | 1 | 1 |
| 6-11      | 37005923    | SWITCH, PRESSURE - NEMA 1 - 250 PSIG               | 1               | 1      | 1 | 1 |
| 6-12      | 31385693    | VALVE, RELIEF - 200 PSIG (RECEIVER)                | 1               |        |   | 1 |
| 6-12      | 32174799    | VALVE, RELIEF - 260 PSIG (RECEIVER)                | 1               |        |   | 1 |
| 6-13      | 32013872    | GAUGE, PRESSURE - 300 PSIG                         | 1               | 1      | 1 | 1 |
| 6-14      | 32146235    | AFTERCOOLER, WATER COOLED                          | 1               |        |   |   |
| 6-15      | 35229723    | VALVE, AUTOMATIC WATER                             | 1               |        |   |   |
| 6-16      | 32005282    | TRAP, AUTO DRAIN                                   | 1               |        |   |   |
| 6-17      | 32180200    | VALVE, BALL - 1/4"                                 | 1               |        |   | 1 |
| 6-18      | 32244428    | COIL, AFTERCOOLER - AIR COOLED                     | 1               |        |   | 1 |
| 6-19      | 32174286    | VALVE, RELIEF - DISCHARGE - 325 PSIG               | 1               |        |   | 1 |
| ***       | 32170771    | VALVE, AUXILIARY - CONSTANT SPEED CONTROL          | 1               |        |   |   |
| ***       | 32170797    | VALVE, AUXILIARY - DUAL CONTROL                    | 1               |        |   |   |
| ***       | 32212649    | KIT, DECAL   | 1               |        |   |   |
| **        | 32178766    | OIL, XL-T30 - SYNTHETIC COMPRESSOR LUBRICANT       | 1 GAL.          |        |   | 1 |

\* Specify discharge pressure of compressor and complete motor nameplate data.

\*\* Purchase from your local Ingersoll-Rand Distributor.

\*\*\* Not Shown in Illustration.

### STEP SAVER KIT

For your convenience, the following parts and/or spare parts for your compressor are available in parts kits. When ordering the kits below, use kit names as Description and the Part No. as shown.

| PART NUMBER | DESCRIPTION                 |
|-------------|-----------------------------|
| 32127482    | KIT, FILTER                 |
| 32127490    | KIT, VALVE/GASKET           |
| 32218869    | KIT, RING/GASKET            |
| 32127516    | KIT, BEARING/CONNECTING ROD |
| 30418834    | KIT, GASKET                 |